



Cartridge Filter

The compact Onga Pantera range of Cartridge Filters makes them ideal for confined spaces. A Cartridge Filter offers a more effective filtration area for the space taken. When water is in short supply a Cartridge Filter is a wise choice, as there is minimal waste-water due to no backwash cycle.



Pantera Cartridge Filter



Features	Benefits
Compact Design	Allowing a more effective filtration area a cartridge filter takes up less space when compared to sand or D.E. filters. They are lightweight, compact and easy to install.
Save water	By using a cartridge filter you do not backwash to waste when cleaning is required. To clean the cartridge element you remove it from the housing and soak in a cleaning solution or fit a spray nozzle to your garden hose and wash away the debris.
40mm and 50mm Plumbing	For ease of installation the Onga Pantera range of cartridge filters has the option of plumbing in 50mm or 40mm for hassle free connection.
Less maintenance	There are no moving parts in the Onga Pantera Cartridge filter making them trouble free.

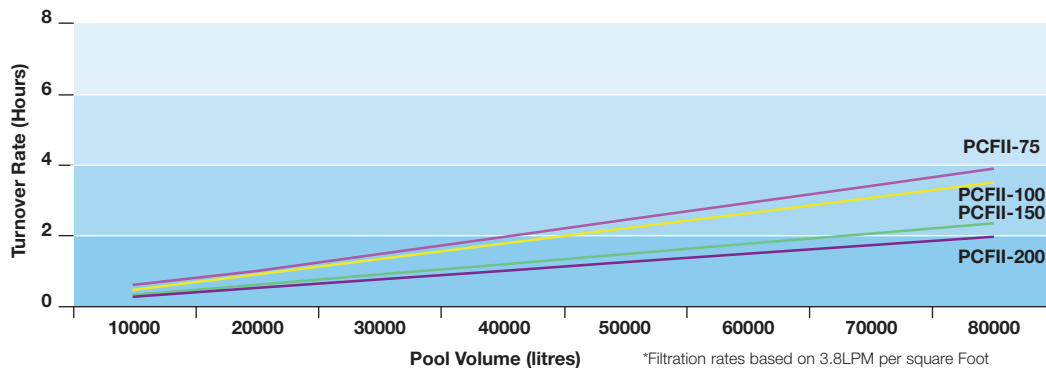
Pentair Water Pty Ltd
 ACN 112 060 616
 Freecall 1800 664 266
 Web: pentairwater.com.au

Pentair Water New Zealand Pty Ltd
 ACN 157 6666
 Freecall 0800 664 269
 Web: pentairwater.com.au



Pantera Cartridge Filter

Flow Rate Curve



Disclaimers This information was prepared by Pentair Water and every endeavour has been made to publish the correct details in this leaflet. No responsibility will be taken for errors, omissions or changes in product specifications. All performance data taken at sea level.

Operating Conditions

Fluid:	Water
Maximum working pressure:	280 kPa
Water temperature range:	5°C – 45°C
Maximum Ambient temperature:	55°C maximum

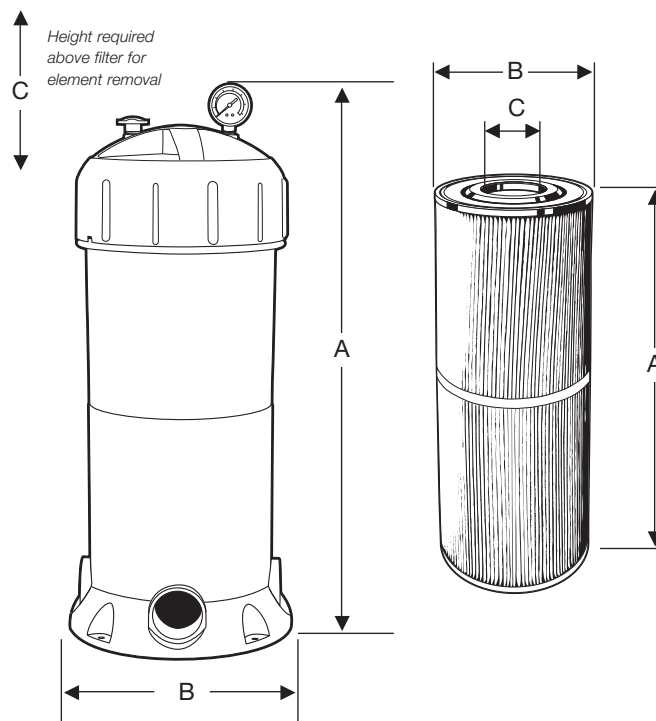
Maximum Flow rate

PCFII 75	300 LPM
PCFII 100	370 LPM
PCFII 150	410 LPM
PCFII 200	600 LPM

Materials of construction

Component	Material
Filter Housing:	UV Resistant PVC
Filter Lid:	UV Resistant PVC
O'Ring:	Nitrile
Blanking Cap (2):	UV Resistant PVC
Cartridge Material:	Polyester Dupont Remay®
Cartridge end caps:	Urethane
Cartridge core:	ABS - Moulded
Pressure Gauge:	50mm PVC Casing or Bottom Mount

Line Drawings



Filter Dimensions

Filter Model	Dimension A	Dimension B	Dimension C	Filter Weight (Kg)	Packed Weight (Kg)	Carton Dimension LxWxH
PCFII-075	690	285	450	7	8	310 x 310 x 690
PCFII-100	690	285	660	10	12	310 x 310 x 690
PCFII-150	940	285	450	12	14	310 x 310 x 1180
PCFII-200	940	285	450	14	16	310 x 310 x 1180

Element Dimensions

Filter Model	Filter Area (Sq ft/Sq.m)	Overall Length	Outside Diameter	Hole size, Internal
		(mm) A	(mm) B	(mm) C
PCFII-75	75/7.0	495	185	75
PCFII-100	100/9.3	495	185	75
PCFII-150	150/13.9	745	185	75
PCFII-200	200/18.6	745	185	75



Australia
New Zealand
Americas
Europe
Asia

Freecall 1800 664 266 Web: pentairwater.com.au Email: sales@pentairwater.com.au Fax: 1800 006 688
 Freecall 0800 664 269 Web: pentairwater.com Email: auckland@pentairwater.com.au
 Auckland Fax: +64 9 579 6497 Christchurch Fax: +64 3 343 1054
 Pentair, Inc www.pentair.com
 Pentair Pumps S.p.A www.pentairpumps.it
 China / India www.pentairwater.com

Pentair Water Australia Pty Ltd. ACN 004 856 204 ©Registered to Onga Pty Ltd ABN 27 004 856 204

