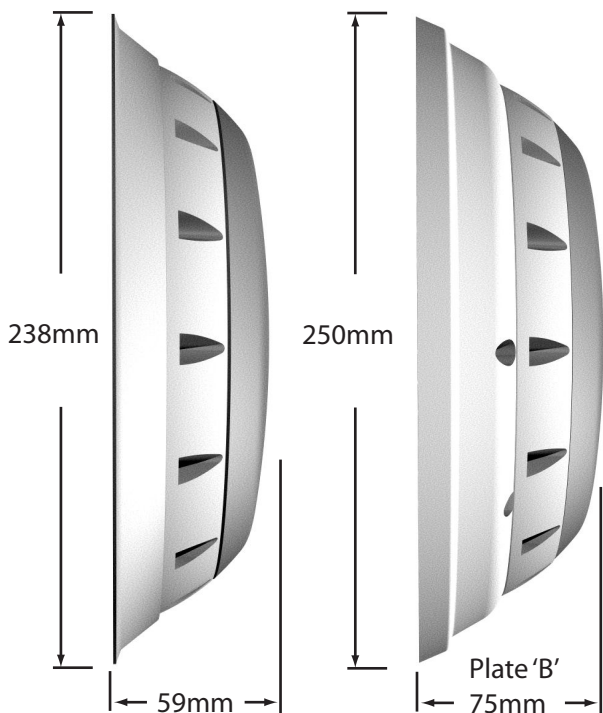
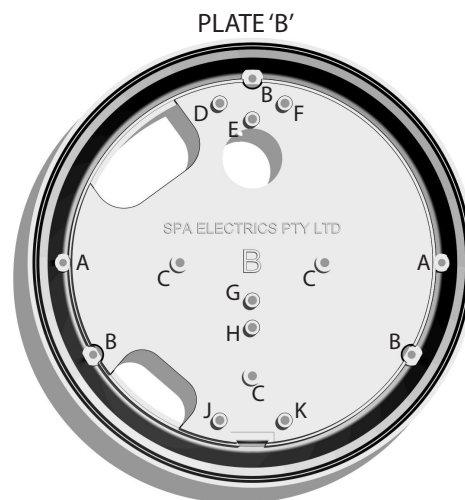


MODEL GK6RX

Surface mounted pool light for concrete Pools and Spas. (Halogen - **Retro Fit Light**).



- Designed and manufactured in Australia.
- Suitable for concrete and fibreglass pools.
- Slotted rim allows water flow behind the light to eliminate stagnant water and aids in cooling.
- Choice of rim colours including: white, taupe, black, grey or ivory.
- Interchangeable coloured lenses available in blue, green, clear, red or magenta.
- Simple Installation and one screw mounting for ease of service.
- No cable joining, connection on back of light.
- Unique electrical connection, so power cable does not intrude into light cavity, eliminating possible sources of water entry.
- Extra low voltage: 12 volt, 100 watt.
24 volt, 150 watt.
32 volt, 150 watt.
- Patented.



Replaces these existing lights.

POOL LIGHT (BRAND NAME)	TILED	F/GLASS	RENDERED	PLATE	REMOVE TABS	VOLT/WATT
STROUD C150	X	X		STD		32V 150W
WATERCO	X			STD		12/24V 100/150W
		X		B	E,G,H	12/24V 100/150W
POOLRITE	X			STD		12/24V 100/150W
		X		B	D,E,F,G,H,J,K	12/24V 100/150W
SPA ELECTRICS SE3	X			STD		12/24V 100/150W
		X		B	D	12/24V 100/150W
QUESTA / WATERLINX / MAGIC POOL PRODUCTS	X			STD		12V 100W
		X		B	D	12V 100W
DEGA	X			STD		24/32V 150W
SWIMWORLD (WITH STEEL WALL RING)	X			STD		12V 100W
SWIMWORLD	X	X	X	B		12V 100W
AQUAQUIP	X			STD		12/24V 100/150W
		X	X	B		12/24V 100/150W

Retro Kit - Halogen Light.

Installation Instructions for the Spa Electrics GK6RX surface mounted light.

Step 1.

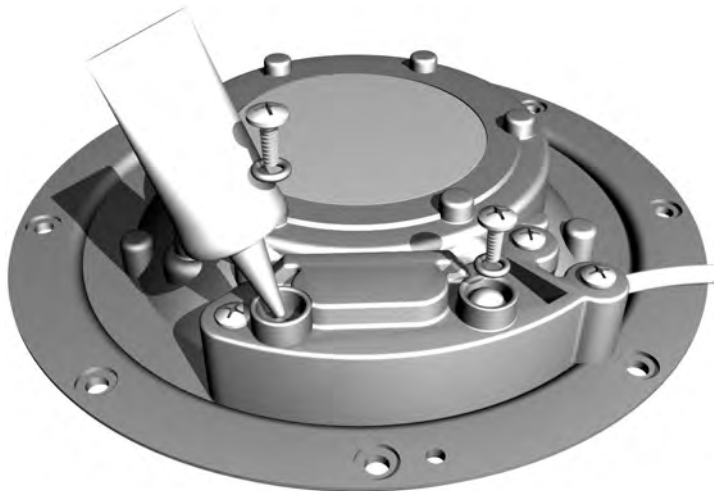
Select the appropriate backplate for your needs. Affix the backplate to the finished pool wall utilising the appropriate fixing holes using only the screws provided.

Ensure that the 'TOP' marking on the backplate is facing up.



Step 4.

Affix the terminal cover over the seal with the 3 screws provided. (as removed in step 2.) Remove the 2 filler screws and o-rings, Rub tube gently between hands to soften contents for easy application then fill the cavity until the sealant flows out of the 2nd filler screw hole, replace the 2 filler screws and o-rings then gently tighten the 2 filler screws.



Step 2.

Remove the 3 screws from the terminal cover.

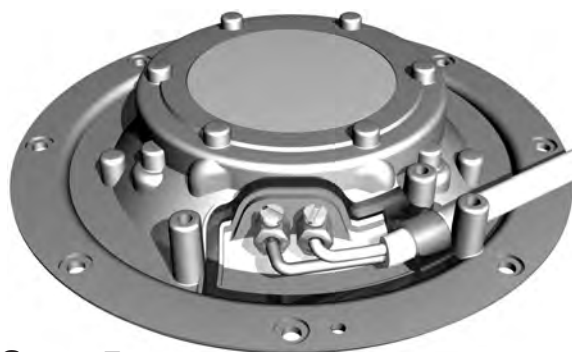


Select the appropriate sized terminal cover seal from the 4 provided, for your sized cable.



Step 3.

Place the cover seal into the recess provided and connect the cables to the terminals.



Step 5.

Gently tighten the fixing screw to lock the Light securely into the backplate. Once your quality Spa Electrics Light is fully submerged it is ready for use.



Important Points to note.

• For safe and proper installation, use only parts (screws, plugs, cable etc) provided.

Warnings.

- The light must be water cooled at all times. DO NOT switch the light on until installation is complete and the light is fully submerged in water.
- Ensure sufficient additional cable is coiled behind the light for servicing. (800mm to 1200mm).
- When pool or spa is empty ensure that the light can not be turned on.
- When using fibreglass plate 'B' - ensure that silicon sealant is applied to fixing screws to prevent leaks.

Note : Spa Electrics Pty Ltd. will assume no responsibility or liability for pool light conversions that are installed incorrectly or are connected to faulty or non approved cables or transformers.